

Form 8673
(820)
Printed in U.S.A.

REPRODUCTION COPY
PAGE

LIST OF PARTS



SINGER**

MACHINE No. 58-14

THE SINGER MANUFACTURING COMPANY

**A Trade Mark of THE SINGER MANUFACTURING COMPANY

From the library of: Diamond Needle Corp

INSTRUCTIONS FOR OILING

To ensure easy running and prevent unnecessary wear of the parts which are in movable contact, the machine requires oiling and when in continuous use, "TYPE B" or "TYPE D" OIL, sold by Singer Sewing Machine Company, should be applied at least twice each day to all oil holes marked "OIL", as instructed in Form 7944.

"TYPE D" OIL should be used when an oil is desired which will produce a minimum of stain on fabrics, even after a long period of storage.

Copyright, U. S. A., 1916, 1918, and 1920,
by The Singer Manufacturing Company
All Rights Reserved for all Countries

HISTORICAL COPY
DO NOT REMOVE

INDEX

	Page
ACCESSORIES	15
BOBBIN WINDER.....	15
MACHINE NO. 58-14.....	19
NUMERICAL LIST OF PARTS	19
OBsolete PARTS.....	18
STARTING TREADLE PARTS	16
TABLE CHAIN GUIDE PARTS	16
THREAD CUTTING TREADLE PARTS	17
THREAD UNWINDER.....	17

From the library of Diamond Needle Corp

INSTRUCTIONS FOR ORDERING

In ordering from this list, use **ONLY** the **PART** number in the **FIRST** column.

The number stamped on a Sewing Machine part is in every case the number of the single part only.

Every combination of parts sent out as such has its specific number, which, although not stamped on the parts, must be used when ordering the combination.

Each number always indicates the **SAME PART** in whatever list it appears, or for whatever machine.

The letters after some of the numbers indicate the style of finish only, as follows:

- A. Hardened, Polished and Plated.
- B. Polished and Plated.
- C. Hardened only.
- D. Polished only.
- E. Soft, not Polished.
- F. Hardened and Polished.
- G.
- H. Blued.
- J. Plated only.
- K. Hardened and Plated.
- L. Brass or Gilt
- M. Oxidized.
- P. Japanned.
- R. Parkerized.

These letters **MUST BE USED** when they appear in the list, and **AFTER** the number as in the list.

In this series

- 1 to 1500 and 50001 to 51500 are Screw Numbers.
- 1501 to 1800 are Nut Numbers.
- 1801 to 2000 are Roller Numbers.
- 2001 to 50000 and 52001 and upward are numbers of Machine Parts.

The figures in the second column refer only to the plates illustrating the parts, and are **NOT TO BE USED** in ordering

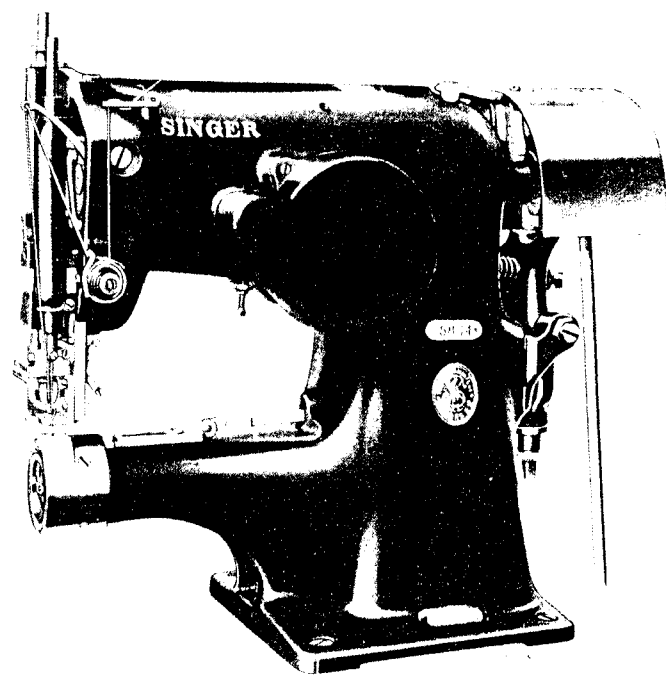
Parts marked with an asterisk (*) are furnished only when repairs are made at factory.

SINGER Needles should be used
in SINGER Machines
These Needles and their Containers
are marked with the
Company's Trade Mark "SIMANCO.**" 1

Needles in Containers marked
"FOR SINGER MACHINES"
are **NOT SINGER** made needles. 2

**LIST OF PARTS COMPLETE
FOR
MACHINE No. 58-14**

FOR SEWING MILITARY SHANK BUTTONS ON COATS, OVERCOATS, ETC. THE MACHINE IS FITTED WITH A RETAINING PAWL THAT LOCKS THE STOP MOTION TO PREVENT THE MACHINE FROM STOPPING ON THE COMPLETION OF THE FIRST REVOLUTION OF THE NEEDLE BAR CAM; THE MACHINE AUTOMATICALLY STOPS ON THE COMPLETION OF THE SECOND REVOLUTION OF THE NEEDLE BAR CAM AND MAKES 24 STITCHES IN THE BUTTON SHANK AND TWO FASTENING STITCHES. BY REMOVING THE RETAINING PAWL THE MACHINE WILL AUTOMATICALLY STOP ON THE COMPLETION OF THE FIRST REVOLUTION OF THE NEEDLE BAR CAM AND MAKES 12 STITCHES IN THE BUTTON SHANK AND ONE FASTENING STITCH. AFTER EACH BUTTON IS SEWN ON THE GARMENT THE NEEDLE AND BOBBIN THREADS ARE CUT BY THE OPERATION OF THE FOOT LIFTER. THE MACHINE IS FITTED WITH A UNIVERSAL BUTTON CLAMP FOR BUTTONS UP TO 1 ³/₈ INCHES IN DIAMETER; THE BUTTON IS HELD IN THE CLAMP BY THE SHANK.



MACHINE No. 58-14

NO.	PLATE	NAME
*43766	—	Arm and Cylinder with 21503
43677	1453	" Shaft
*21503	—	" " Bushing (front)
21634	1454	" " Flanged Bushing (back)
437c	1465	" " " " " Adjust- ing Screw
1517E	1465	Arm Shaft Flanged Bushing (back) Ad- justing Screw Nut
448c	1457	Arm Shaft Flanged Bushing (back) Set Screw
1069D	1465	Arm Shaft Screw
23373	1453	Belt Cover
43584	1453	" " Bracket with 871E and 43585.
871E	1464	" " " Screw Stud
43585	1466	" " " Stud
217D	1464	" " Screw
43767	1455	Button Clamp (back)
43768	1455	" " (front)
50130c	1455	" " Hinge Screw
43769	1455	" " Plate
43770	1455	" " Shank

From the library of: Diamond Needle Corp

NO.	PLATE	NAME
43771	1455	Button Clamp Spreader.....
66045	1455	" " " Stop.....
190D	1455	" " " " Screw.....
19116	1455	" " Spring.....
111D	1455	" " " Screw.....
793D	1455	" " Thumb Screw.....
7071	1455	" " " " Washer.....
43773	—	Button Clamp complete, Nos. 190D, 793D, 7071, 19116, 43767 to 43771, 66045 and two each 111D and 50130c.....
172F	1455	Button Clamp Screw.....
12108	1454	Crank Connecting Rod with 4349 and two 158E.....
*4349	—	Crank Connecting Rod Cap.....
158E	1465	" " " " Screw.....
375C	1465	" " " " Hinge Screw.....
1518E	1465	" " " " " Nut
43774	1456	Needle Bar with 857H.....
3045	1457	" " Connecting Link.....
377C	1465	" " " " Hinge Screw
1518E	1465	" " " " " " "
		Nut.....
43644	1457	Needle Bar Connecting Stud with 187D..
187D	1457	" " " " Clamping Screw.....
66038	1454	Needle Bar Frame.....
66039	—	" " " 66038 with 391D and 66040.....
43775	1458	Needle Bar Frame Cam with 448c.....
43691	1458	" " " " Cover.....
158E	1465	" " " " " Screw.....
23668	1466	" " " " Pin.....
448C	1457	" " " " Set Screw.....
43692	1454	" " " " Shaft.....
43776	1458	" " " " Worm with 448c and 50243c.....
50243c	1464	Needle Bar Frame Cam Worm Position Screw.....
448C	1457	Needle Bar Frame Cam Worm Set Screw.
43777	1458	" " " " " Wheel with 448c and 50243c.....
50243c	1464	Needle Bar Frame Cam Worm Wheel Position Screw.....
448C	1457	Needle Bar Frame Cam Worm Wheel Set Screw.....
43695	1457	Needle Bar Frame Driving Arm with 200c and 51803.....

NO.	PLATE	NAME
2022	1466	Needle Bar Frame Driving Arm Pin.....
51803	1457	" " " " " Roller and Stud.....
200C	1457	Needle Bar Frame Driving Arm Set Screw.....
43696	1454	Needle Bar Frame Driving Arm Shaft...
66040	1459	" " " Extension.....
391D	1459	" " " " Screw.....
66044	1459	Needle Bar Frame Pitman complete, Nos. 1550c, 1682c, 42528, 66042 and 66043.
43698	1457	Needle Bar Frame Pitman Arm.....
2022	1466	" " " " " Pin.....
679C	1459	" " " " Ball Screw Stud (arm end).....
1520E	1459	Needle Bar Frame Pitman Ball Screw Stud (arm end) Nut.....
849C	1459	Needle Bar Frame Pitman Ball Screw Stud (frame end).....
1520E	1459	Needle Bar Frame Pitman Ball Screw Stud (frame end) Nut.....
40282	1459	Needle Bar Frame Pitman Ball Screw Stud (frame end) Nut Washer.....
*42525	—	Needle Bar Frame Pitman Cap (back)
196E	1459	" " " " " " " Screw.....
*42525	—	Needle Bar Frame Pitman Cap (front)
196E	1459	" " " " " " " Screw.....
*66041	—	Needle Bar Frame Pitman End Bearing (back).....
*42527	—	Needle Bar Frame Pitman End Bearing (front).....
66042	1459	Needle Bar Frame Pitman Head (back) Nos. 679c, 42525, 66041 and two 196E.
66043	1459	Needle Bar Frame Pitman Head (front) Nos. 849c, 42525, 42527 and two 196E.
42528	1459	Needle Bar Frame Pitman Rod.....
1682C	1459	" " " " " N u t (back).....
1550C	1459	Needle Bar Frame Pitman Rod Nut (front).....
577C	1464	Needle Bar Frame Screw Centre (lower)
1517E	1465	" " " " " " " Nut.....
945F	1464	Needle Bar Frame Screw Centre (upper)
1517D	1465	" " " " " " " Nut.....

NO.	PLATE	NAME
21553	1459	Needle Bar Frame Thread Eyelet.....
219D	1460	" " " " " Screw..
43778	1460	" Plate.....
691F	1460	" " Screw (large).....
219F	1460	" " " (small).....
43779	1460	" " Thread Guard.....
1161F	1460	" " " " " Screw.....
857H	1465	" Set Screw.....
21555	1454	Oscillating Rock Shaft (steel).....
21630	—	" " " " 21555 with 4784 and 12388.....
12388	1454	Oscillating Rock Shaft Hinge Pin.....
448c	1457	" " " " " S e t Screw.....
4784	1459	Oscillating Rock Shaft Oil Pad (felt)....
21556	1454	" Shaft.....
21557	1448	" " Crank with 460c and 1921.....
2049	1448	Oscillating Shaft Crank Pin.....
1921	1466	" " " Roller and Stud.
460c	1448	" " " Set Screw.....
43780	1456	Presser Bar.....
43700	1457	" " Lifting Bracket with 448c....
43781	1456	" " " " Guide Bar....
453c	1465	" " " " " " Set Screw.....
448c	1457	Presser Bar Lifting Bracket Set Screw....
43782	1456	" " " Lever with 141c and 1528E.....
141c	1464	Presser Bar Lifting Lever Adjusting Screw
1528E	1465	" " " " " " "
		Nut.....
65c	1465	Presser Bar Lifting Lever Hinge Screw....
20023	1456	" " Spring.....
11170	1459	" " " Washer.....
688J	1464	Pressure Regulating Thumb Screw.....
1648E	1465	" " " " " Lock Nut.....
21638	1461	Pulley (loose).....
43650	1461	" (tight).....
43651	—	Pulley (tight) complete, Nos. 871E, 21615 to 21617, 21647, 21653, 43650 and two 997E.....
23668	1466	Pulley (tight) Pin.....
43652	—	Pulleys complete, Nos. 21638 and 43651..
2996	1446	Shuttle Bobbin.....
15140	1446	" " Case Latch.....

NO.	PLATE	NAME
2973	1446	Shuttle Bobbin Case Latch Lever.....
2974	1446	" " " " " Fulcrum Pin.....
2975	1446	Shuttle Bobbin Case Latch Spring.....
592E	1446	" " " " Stop Screw....
15141	1446	" " " Hinge, Nos. 2973, 2974 and 15140.....
4820	1446	Shuttle Bobbin Case Position Finger....
2523	1446	" " " " " Rivet
43725	1446	Shuttle Bobbin Case complete, Nos. 591F, 592E, 2523, 2975, 4820, 15141 and 224842.....
21562	1446	Shuttle Body.....
591F	1446	" Tension Regulating Screw.....
224842	1446	" " Spring.....
43654	1446	Shuttle, 1 $\frac{1}{4}$ in. diam., Nos. 2996, 21562 and 43725.....
43745	1448	Shuttle Driver.....
2049	1448	" " Pin.....
43783	—	" Race Body.....
43543	1462	" " Cap.....
662D	1464	" " " Screw.....
2523	1446	" " " Steady Pin.....
43784	1462	" " Ring.....
18413	1462	" " " Spring.....
1289D	1462	" " " " Screw.....
43785	1462	Shuttle Race (flexible) complete, Nos. 662D, 2523, 43543, 43783, 43784 and two each 1289D and 18413.....
171D	1464	Shuttle Race Screw.....
66027	1453	Starting Lever with 641c and 51804.....
66028	—	Starting Lever complete, Nos. 159F, 913c, 1520E, 1638E, 21643, 21649, 21651, 43583, 50454c, 66027, 66031, two each 190D, 640F and three 21645.....
43706	1461	Starting Lever Bell Crank with 1921....
66029	1461	" " " " " Cam with 448c.....
23668	1466	Starting Lever Bell Crank Cam Pin....
44Sc	1457	" " " " " Set Screw
66030	1459	" " " " " Tripping Point.....
190D	1455	Starting Lever Bell Crank Cam Tripping Point Screw.....
802D	1464	Starting Lever Bell Crank Hinge Screw..
1921	1466	" " " " Roller and Stud.....

NO.	PLATE	NAME
21643	1457	Starting Lever Belt Shifter.....
159F	1465	“ “ “ “ Set Screw.....
21644	1453	“ “ Bracket.....
8582	1466	“ “ “ Dowel Pin.....
123E	1464	“ “ “ Screw.....
21645	1448	“ “ Cushion (rawhide).....
640F	1448	“ “ “ Screw.....
51804	1466	“ “ Roller and Stud.....
641C	1464	“ “ “ “ Set Screw.....
564C	1464	“ “ Screw Centre.....
1508E	1465	“ “ “ “ Nut.....
14174	1461	“ “ Spring.....
50454C	1464	“ “ Stop Screw.....
1520E	1459	“ “ “ “ Nut.....
66031	1455	“ “ Tripping Plate.....
190D	1455	“ “ “ “ Screw.....
21647	1461	Stop Cam with 21652.....
43583	1461	“ “ Interlocking Rod.....
21649	1448	“ “ “ “ Guide with 1070c.....
1070c	1448	Stop Cam Interlocking Rod Guide Set Screw.....
21651	1461	Stop Cam Interlocking Rod Spring.....
913C	1464	“ “ “ “ “ “ Regu- lating Thumb Screw.....
1638E	1465	Stop Cam Interlocking Rod Spring Regu- lating Thumb Screw Nut.....
21652	1466	Stop Cam Pin.....
21615	1461	“ “ Spring (long).....
21616	1461	“ “ “ (short).....
21653	1461	“ “ “ Cover.....
997E	1465	“ “ “ “ Screw.....
21617	1448	“ “ “ Stop Block.....
871E	1464	“ “ “ “ “ Screw.....
2102	1448	Tension Disc.....
1560C	1448	“ Regulating Thumb Nut.....
43791	1459	“ Releasing Arm with 1097E.....
190D	1455	“ “ “ “ Screw.....
32572	1448	“ “ Disc.....
43709	1448	“ “ Pin.....
1097E	1459	“ “ “ Stop Screw.....
1338C	1448	“ Screw Stud.....
2103	1448	“ Spring.....
12149	1448	“ Thread Guard.....
43792	1463	Thread (lower) Cutting Blade.....
43797	1456	“ “ “ “ Connection (bell crank end).....

NO.	PLATE	NAME
43798	1456	Thread (lower) Cutting Blade Connection (holder end).....
43799	1456	Thread (lower) Cutting Blade Connection complete, Nos. 43797, 43798 and two 193D.....
43800	1463	Thread (lower) Cutting Blade Connection Bell Crank.....
66001	1456	Thread (lower) Cutting Blade Connection Bell Crank Connection.....
50130C	1455	Thread (lower) Cutting Blade Connection Bell Crank Connection Hinge Screw....
50434C	1465	Thread (lower) Cutting Blade Connection Bell Crank Hinge Screw.....
66046	1463	Thread (lower) Cutting Blade Connection Bell Crank Retaining Spring.....
1185C	1464	Thread (lower) Cutting Blade Connection Bell Crank Retaining Spring Screw....
50130C	1455	Thread (lower) Cutting Blade Connection Hinge Screw.....
193D	1463	Thread (lower) Cutting Blade Connection Screw.....
43793	1456	Thread (lower) Cutting Blade Holder
43794	1463	“ “ “ “ “ “ Extension.....
43795	1463	Thread (lower) Cutting Blade Holder Guide.....
578D	1463	Thread (lower) Cutting Blade Holder Guide Screw.....
171D	1464	Thread (lower) Cutting Blade Holder Screw.....
43796	1463	Thread (lower) Cutting Blade Holder Sleeve.....
757D	1463	Thread (lower) Cutting Blade Screw.....
66004	1463	“ (upper) Cutting Blade with 66014
66005	1463	“ “ “ “ Cap.....
1329D	1463	“ “ “ “ “ Screw
66006	1463	“ “ “ “ “ Holder
193D	1463	“ “ “ “ “ “ Screw.....
66007	1463	Thread (upper) Cutting Blade Holder Slide with 66011.....
66047	1463	Thread (upper) Cutting Blade Holder Slide Bracket.....
19793	1463	Thread (upper) Cutting Blade Holder Slide Bracket Dowel Pin.....
389D	1463	Thread (upper) Cutting Blade Holder Slide Bracket Screw (left).....

NO.	PLATE	NAME
50128D	1463	Thread (upper) Cutting Blade Holder Slide Bracket Screw (right).....
66009	1463	Thread (upper) Cutting Blade Holder Slide Connection with 66018.....
190D	1455	Thread (upper) Cutting Blade Holder Slide Connection Screw.....
50435D	1463	Thread (upper) Cutting Blade Holder Slide Screw.....
66010	1455	Thread (upper) Cutting Blade Holder Slide Spring.....
66011	1463	Thread (upper) Cutting Blade Holder Slide Spring Stud.....
66024	1463	Thread (upper) Cutting Blade Lever with 51820.....
50130C	1455	Thread (upper) Cutting Blade Lever Hinge Screw.....
51820	1463	Thread (upper) Cutting Blade Lever Roller and Stud.....
66014	1463	Thread (upper) Cutting Blade Stud.....
43719	1457	" Eyelet (side of arm).....
190D	1455	" " " " " Screw.....
66015	1456	" Guard.....
1423D	1464	" " Screw.....
*43764	—	" Take-up Cam.....
21578	1454	" " " 43764 with 446C... ..
3012	1466	" " " Pin.....
446C	1465	" " " Set Screw.....
21579	1457	" " " Lever with 1810.....
76C	1465	" " " Hinge Screw.....
1819	1457	" " " Roller and Stud...
8511	1448	" " " Spring.....
7336	1448	" " " Regulator.....
453C	1465	" " " " " S e t Screw.....
66016	1455	Thread Wiper.....
66017	1455	" " " Body.....
1207D	1455	" " " Hinge Screw.....
66018	1463	" " " Pin.....
66019	1455	" " " Bracket.....
219D	1460	" " " Screw.....
665D	1464	" " " Screw.....
66032	1456	Tripping Lever with 50302D.....
66033	1455	" " " Bracket.....
146D	1465	" " " Screw.....
1196C	1465	" " " Hinge Screw.....

NO.	PLATE	NAME
66034	1466	Tripping Lever Pin.....
50302D	1464	" " " Set Screw.....
66035	1456	" " " Spring.....

ACCESSORIES

NO.	PLATE	NAME
599E	1464	Bolt with 1524E, to secure machine to table.....
1524E	1465	Bolt Nut.....
6055	1466	" " Washer.....
36565	1452	Oiler (copper plated) with 36566.....
36566	1452	" Spout, 9 in. long, with 120117.....
120117	1467	" " Washer (leather).....
11831	1452	Screw Driver (large).....
26026	1417	" " (medium).....
26485	1417	" " (small).....
27070	1418	Shaft Driving Pulley (sectional, grooved) 10 in. diam., 1 $\frac{3}{8}$ in. bore, with two 597C
597C	1464	Shaft Driving Pulley Clamping Screw... ..
8908	1467	Wrench for 1070.....
21654	1452	" " 1508 and 1638.....
10875	1417	" " 1517, 1518 and 1520.....
4822	1417	" " 1528.....
22003	1467	" " 1550 and 1682.....

BOBBIN WINDER

(SWINGING AUTOMATIC, RIGHT HAND)

NO.	PLATE	NAME
27540	1417	Base.....
15072	1466	Bobbin Position Pin.....
27302	1417	Frame.....
50356D	1465	" Hinge Screw.....
1620J	1465	" " " Nut.....
27303	1466	" Spring.....
27541	1417	Pulley.....
27538	1417	Spindle with 15072.....
27306	1417	Spool Pin.....
27307	1417	" Stand.....
27308	1417	Spool Stand complete, Nos. 418E, 1562J, 2106, 10141, 11241, 27306, 27307 and two each 2455 and wood screws 1 in. No. 10.....
11241	1417	Spool Washer (cloth).....

NO.	PLATE	NAME
27312	1417	Stop Latch.....
35D	1465	" " Hinge Screw.....
2455	1466	Tension Disc.....
1562J	1466	" Regulating Thumb Nut.....
418E	1466	" Screw Stud.....
10141	1466	" Spring.....
2106	1466	" Thread Guide.....
27647	1417	Bobbin Winder, Nos. 35D, 1620J, 27302, 27303, 27312, 27538, 27540, 27541, 50356D and two wood screws 1 in. No. 7
27544	—	Bobbin Winder (swinging automatic, right hand) complete, Nos. 27308 and 27647.....

STARTING TREADLE PARTS

NO.	PLATE	NAME
13351	—	Chain, length 46 in. to 55 in.....
NOTE: When ordering No. 13351 give length required.		
4879	1467	Chain Connecting Link.....
14209	1418	Starting Treadle.....
7585	1454	" " Shaft.....
14210	1418	" " Stand.....
14211	1418	Starting Treadle complete, Nos. 7585, 14209, 14210 and four wood screws 1¼ in. No. 12.....

TABLE CHAIN GUIDE PARTS

NO.	PLATE	NAME
14229	1418	Bracket with 448c.....
14230	1418	Pulley.....
14231	1454	" Shaft with 858c.....
858c	1465	" " Plug Screw.....
448c	1457	" " Set Screw.....
14232	1418	Table Chain Guide complete, Nos. 14229 to 14231 and four wood screws 1¼ in. No. 10, R. H. B.....

THREAD CUTTING TREADLE PARTS

NO.	PLATE	NAME
13351	—	Chain, length 46 in. to 55 in.....
NOTE: When ordering No. 13351 give length required.		
4879	1467	Chain Connecting Link.....
5667	1467	Foot Lever.....
5669	1467	" " Bracket.....
5671	1466	" " Hinge Pin.....
5672	1467	" " Lifting Spring.....
5668	1467	Foot Lever complete, Nos. 5667, 5669, 5671 and three wood screws 1½ in. No. 16.....

THREAD UNWINDER

FOR TWO LARGE SPOOLS OR TWO LARGE CONES OF THREAD

NO.	PLATE	NAME
27623	2837	Spool Pin.....
155c	1464	" " Set Screw.....
41530	2837	" Rest.....
41531	—	" " 41530 with 1149c and two each 155c and 27623.....
1149c	1465	Spool Rest Set Screw.....
27940	2837	" Stand with 453c.....
41514	2837	" Weight, 4 in. diam., with 41515....
41515	1466	" " Centre Pin.....
27739	2837	Thread Cone (wood).....
41631	2837	" Guard with 208E and two 41569..
41569	1466	" " Eyelet.....
41637	2837	" " Rod (lower).....
41638	2837	" " " (upper).....
41639	2837	" " " Coupling with two 456c.....
456c	1465	Thread Guard Rod Coupling Set Screw..
41640	—	Thread Guard Rod complete, 30 in. long, Nos. 41637 to 41639.....
453c	1465	Thread Guard Rod Set Screw.....
208E	1464	" " Screw.....
41533	2837	Thread Unwinder complete, Nos. 27940, 41531, 41631, 41640, two each 27739, 41514 and three wood screws 1 in. No. 12

OBSOLETE PARTS

NO.	PLATE	NAME
43772	1455	Button Clamp Spreader Stop for 43773..
43645	1458	Needle Bar Frame.....
43697	1459	" " " Pitman with two 44361 and four 175E.....
777c	1464	Needle Bar Frame Pitman Ball Screw Stud (frame end).....
1518E	1465	Needle Bar Frame Pitman Ball Screw Stud (frame end) Nut.....
*44361	—	Needle Bar Frame Pitman Cap (back) for 43697.....
175E	1465	Needle Bar Frame Pitman Cap (back) Screw for 43697.....
*44361	—	Needle Bar Frame Pitman Cap (front) for 43697.....
175E	1465	Needle Bar Frame Pitman Cap (front) Screw for 43697.....
65c	1465	Thread (lower) Cutting Blade Connection Bell Crank Hinge Screw.....
66023	1459	Thread (upper) Cutting Blade Holder Slide Bracket.....

SINGER Needles should be used
 in **SINGER** Machines
 These Needles and their Containers
 are marked with the
 Company's Trade Mark "SIMANCO.**" ₁

Needles in Containers marked
 "FOR SINGER MACHINES"
 are NOT **SINGER** made needles. ₂

NUMERICAL LIST OF PARTS

NO.	PLATE	NAME
35D	1465	Bobbin Winder Stop Latch Hinge Screw for 27647.....
65c	1465	Presser Bar Lifting Lever Hinge Screw...
65c	1465	Thread (lower) Cutting Blade Connection Bell Crank Hinge Screw, obsolete.....
76c	1465	Thread Take-up Lever Hinge Screw.....
111D	1455	Button Clamp Spring Screw for 43773...
123E	1464	Starting Lever Bracket Screw.....
141c	1464	Presser Bar Lifting Lever Adjusting Screw for 43782.....
146D	1465	Tripping Lever Bracket Screw.....
155c	1464	Thread Unwinder Spool Pin Set Screw for 41531.....
158E	1465	Crank Connecting Rod Cap Screw for 12108.....
158E	1465	Needle Bar Frame Cam Cover Screw....
159F	1465	Starting Lever Belt Shifter Set Screw for 66028.....
171D	1464	Shuttle Race Screw.....
171D	1464	Thread (lower) Cutting Blade Holder Screw.....
172F	1455	Button Clamp Screw.....
175E	1465	Needle Bar Frame Pitman Cap (back) Screw for 43697, obsolete.....
175E	1465	Needle Bar Frame Pitman Cap (front) Screw for 43697, obsolete.....
187D	1457	Needle Bar Connecting Stud Clamping Screw for 43644.....
190D	1455	Button Clamp Spreader Stop Screw for 43773.....
190D	1455	Starting Lever Bell Crank Cam Tripping Point Screw.....
190D	1455	Starting Lever Tripping Plate Screw for 66028.....
190D	1455	Tension Releasing Arm Screw.....
190D	1455	Thread (upper) Cutting Blade Holder Slide Connection Screw.....
190D	1455	Thread Eyelet (side of arm) Screw.....
193D	1463	" (lower) Cutting Blade Connection Screw for 43799.....
193D	1463	Thread (upper) Cutting Blade Holder Screw.....

NO.	PLATE	NAME
196E	1459	Needle Bar Frame Pitman Cap (back) Screw for 66042.....
196E	1459	Needle Bar Frame Pitman Cap (front) Screw for 66043.....
200c	1457	Needle Bar Frame Driving Arm Set Screw for 43695.....
208E	1464	Thread Unwinder Thread Guard Screw for 41631.....
217D	1464	Belt Cover Screw.....
219D	1460	Needle Bar Frame Thread Eyelet Screw.
219F	1460	" Plate Screw (small).....
219D	1460	Thread Wiper Bracket Screw.....
375c	1465	Crank Connecting Rod Hinge Screw.....
377c	1465	Needle Bar Connecting Link Hinge Screw
389D	1463	Thread (upper) Cutting Blade Holder Slide Bracket Screw (left).....
391D	1459	Needle Bar Frame Extension Screw for 66039.....
418E	1466	Bobbin Winder Tension Screw Stud for 27308.....
437c	1465	Arm Shaft Flanged Bushing (back) Adjusting Screw.....
446c	1465	Thread Take-up Cam Set Screw for 21578
448c	1457	Arm Shaft Flanged Bushing (back) Set Screw.....
448c	1457	Needle Bar Frame Cam Set Screw for 43775.....
448c	1457	Needle Bar Frame Cam Worm Set Screw for 43776.....
448c	1457	Needle Bar Frame Cam Worm Wheel Set Screw for 43777.....
448c	1457	Oscillating Rock Shaft Hinge Pin Set Screw.....
448c	1457	Presser Bar Lifting Bracket Set Screw for 43700.....
448c	1457	Starting Lever Bell Crank Cam Set Screw for 66029.....
448c	1457	Table Chain Guide Pulley Shaft Set Screw for 14229.....
453c	1465	Presser Bar Lifting Bracket Guide Bar Set Screw.....
453c	1465	Thread Take-up Spring Regulator Set Screw.....
453c	1465	Thread Unwinder Thread Guard Rod Set Screw for 27940.....
456c	1465	Thread Unwinder Thread Guard Rod Coupling Set Screw for 41639.....

NO.	PLATE	NAME
460c	1448	Oscillating Shaft Crank Set Screw for 21557.....
564c	1464	Starting Lever Screw Centre.....
577c	1464	Needle Bar Frame Screw Centre (lower).
578D	1463	Thread (lower) Cutting Blade Holder Guide Screw.....
591F	1446	Shuttle Tension Regulating Screw for 43725.....
592E	1446	Shuttle Bobbin Case Latch Stop Screw for 43725.....
597c	1464	Shaft Driving Pulley Clamping Screw for 27070.....
599E	1464	Bolt with 1524E, to secure machine to table (Accessories).....
640F	1448	Starting Lever Cushion Screw for 66028..
641c	1464	" " Roller and Stud Set Screw for 66027.....
662D	1464	Shuttle Race Cap Screw for 43785.....
665D	1464	Thread Wiper Screw.....
679c	1459	Needle Bar Frame Pitman Ball Screw Stud (arm end) for 66042.....
688J	1464	Pressure Regulating Thumb Screw.....
691F	1460	Needle Plate Screw (large).....
757D	1463	Thread (lower) Cutting Blade Screw....
777c	1464	Needle Bar Frame Pitman Ball Screw Stud (frame end) obsolete.....
793D	1455	Button Clamp Thumb Screw for 43773..
802D	1464	Starting Lever Bell Crank Hinge Screw..
849c	1459	Needle Bar Frame Pitman Ball Screw Stud (frame end) for 66043.....
857H	1465	Needle Set Screw for 43774.....
858c	1465	Table Chain Guide Pulley Shaft Plug Screw for 14231.....
871E	1464	Belt Cover Bracket Screw Stud for 43584.
871E	1464	Stop Cam Spring Stop Block Screw for 43651.....
913c	1464	Stop Cam Interlocking Rod Spring Regulating Thumb Screw for 66028.....
945F	1464	Needle Bar Frame Screw Centre (upper).
997E	1465	Stop Cam Spring Cover Screw for 43651.
1069D	1465	Arm Shaft Screw.....
1070c	1448	Stop Cam Interlocking Rod Guide Set Screw for 21649.....
1097E	1459	Tension Releasing Pin Stop Screw for 43791.....
1149c	1465	Thread Unwinder Spool Rest Set Screw for 41531.....

NO.	PLATE	NAME
1161F	1460	Needle Plate Thread Guard Screw.....
1185c	1464	Thread (lower) Cutting Blade Connection Bell Crank Retaining Spring Screw....
1196c	1465	Tripping Lever Hinge Screw.....
1207D	1455	Thread Wiper Body Hinge Screw.....
1289D	1462	Shuttle Race Ring Spring Screw for 43785
1329D	1463	Thread (upper) Cutting Blade Cap Screw
1338c	1448	Tension Screw Stud.....
1423D	1464	Thread Guard Screw.....
1508E	1465	Starting Lever Screw Centre Nut.....
1517E	1465	Arm Shaft Flanged Bushing (back) Ad- justing Screw Nut.....
1517E	1465	Needle Bar Frame Screw Centre (lower) Nut.....
1517D	1465	Needle Bar Frame Screw Centre (upper) Nut.....
1518E	1465	Crank Connecting Rod Hinge Screw Nut
1518E	1465	Needle Bar Connecting Link Hinge Screw Nut.....
1518E	1465	Needle Bar Frame Pitman Ball Screw Stud (frame end) Nut, obsolete.....
1520E	1459	Needle Bar Frame Pitman Ball Screw Stud (arm end) Nut.....
1520E	1459	Needle Bar Frame Pitman Ball Screw Stud (frame end) Nut.....
1520E	1459	Starting Lever Stop Screw Nut for 66028.
1524E	1465	Bolt Nut for 599E.....
1528E	1465	Presser Bar Lifting Lever Adjusting Screw Nut for 43782.....
1550c	1459	Needle Bar Frame Pitman Rod Nut (front) for 66044.....
1560c	1448	Tension Regulating Thumb Nut.....
1562J	1466	Bobbin Winder Tension Regulating Thumb Nut for 27308.....
1620J	1465	Bobbin Winder Frame Hinge Screw Nut for 27647.....
1638E	1465	Stop Cam Interlocking Rod Spring Regu- lating Thumb Screw Nut for 66028....
1648E	1465	Pressure Regulating Thumb Screw Lock Nut.....
1682c	1459	Needle Bar Frame Pitman Rod Nut (back) for 66044.....
1819	1457	Thread Take-up Lever Roller and Stud for 21579.....
1921	1466	Oscillating Shaft Crank Roller and Stud for 21557.....

NO.	PLATE	NAME
1921	1466	Starting Lever Bell Crank Roller and Stud for 43706.....
2022	1466	Needle Bar Frame Driving Arm Pin.....
2022	1466	" " " Pitman Arm Pin.....
2049	1448	Oscillating Shaft Crank Pin.....
2049	1448	Shuttle Driver Pin.....
2102	1448	Tension Disc.....
2103	1448	" Spring.....
2106	1466	Bobbin Winder Tension Thread Guide for 27308.....
2455	1466	Bobbin Winder Tension Disc for 27308..
2523	1446	Shuttle Bobbin Case Position Finger Rivet for 43725.....
2523	1446	Shuttle Race Cap Steady Pin for 43785..
2973	1446	" Bobbin Case Latch Lever for 15141.....
2974	1446	Shuttle Bobbin Case Latch Lever Ful- crum Pin for 15141.....
2975	1446	Shuttle Bobbin Case Latch Spring for 43725.....
2996	1446	Shuttle Bobbin for 43654.....
3012	1466	Thread Take-up Cam Pin.....
3045	1457	Needle Bar Connecting Link.....
*4349	—	Crank Connecting Rod Cap for 12108....
4784	1459	Oscillating Rock Shaft Oil Pad (felt) for 21630.....
4820	1446	Shuttle Bobbin Case Position Finger for 43725.....
4822	1417	Wrench for 1528 (Accessories).....
4879	1467	Chain Connecting Link for 5668 and 14211.....
5667	1467	Foot Lever for 5668.....
5668	1467	Foot Lever complete, for thread cutting treadle, Nos. 5667, 5669, 5671 and three wood screws 1½ in. No. 16.....
5669	1467	Foot Lever Bracket for 5668.....
5671	1466	" " Hinge Pin for 5668.....
5672	1467	" " Lifting Spring for 5668.....
6055	1466	Bolt Nut Washer (Accessories).....
7071	1455	Button Clamp Thumb Screw Washer for 43773.....
7336	1448	Thread Take-up Spring Regulator.....
7585	1454	Starting Treadle Shaft for 14211.....
8511	1448	Thread Take-up Spring.....
8582	1466	Starting Lever Bracket Dowel Pin.....
8908	1467	Wrench for 1070 (Accessories).....
10141	1466	Bobbin Winder Tension Spring for 27308.

NO.	PLATE	NAME
10875	1417	Wrench for 1517, 1518 and 1520 (Accessories).....
11170	1459	Presser Bar Spring Washer.....
11241	1417	Bobbin Winder Spool Washer (cloth) for 27308.....
11831	1452	Screw Driver, large (Accessories).....
12108	1454	Crank Connecting Rod with 4349 and two 158e.....
12149	1448	Tension Thread Guard.....
12388	1454	Oscillating Rock Shaft Hinge Pin for 21630.....
13351	—	Chain, length 46 in. to 55 in., for 5668 and 14211.....
14174	1461	Starting Lever Spring.....
14209	1418	" Treadle for 14211.....
14210	1418	" " Stand for 14211.....
14211	1418	Starting Treadle complete, Nos. 7585, 14209, 14210 and four wood screws 1¼ in. No. 12.....
		Nos. 14229 to 14231 FOR 14232
14229	1418	Table Chain Guide Bracket with 448c...
14230	1418	" " " Pulley.....
14231	1454	" " " " Shaft with 858c.....
14232	1418	Table Chain Guide complete, Nos. 14229 to 14231 and four wood screws 1¼ in. No. 10, R. H. B.....
15072	1466	Bobbin Winder Bobbin Position Pin for 27538.....
15140	1446	Shuttle Bobbin Case Latch for 15141....
15141	1446	" " " Hinge for 43725, Nos. 2973, 2974 and 15140.....
18413	1462	Shuttle Race Ring Spring for 43785.....
19116	1455	Button Clamp Spring for 43773.....
19793	1463	Thread (upper) Cutting Blade Holder Slide Bracket Dowel Pin.....
20023	1456	Presser Bar Spring.....
*21503	—	Arm Shaft Bushing (front) for 43766.....
21553	1459	Needle Bar Frame Thread Eyelet.....
21555	1454	Oscillating Rock Shaft (steel) for 21630..
21556	1454	" Shaft.....
21557	1448	" " Crank with 460c and 1921.....
21562	1446	Shuttle Body for 43654.....

NO.	PLATE	NAME
21578	1454	Thread Take-up Cam 43764 with 446c...
21579	1457	" " Lever with 1819.....
		Nos. 21615 to 21617 FOR 43651
21615	1461	Stop Cam Spring (long).....
21616	1461	" " " (short).....
21617	1448	" " " Stop Block.....
21630	—	Oscillating Rock Shaft 21555 with 4784 and 12388.....
21634	1454	Arm Shaft Flanged Bushing (back).....
21638	1461	Pulley (loose) for 43652.....
21643	1457	Starting Lever Belt Shifter for 66028....
21644	1453	" " Bracket.....
21645	1448	" " Cushion (rawhide) for 66028.....
21647	1461	Stop Cam with 21652, for 43651.....
21649	1448	" " Interlocking Rod Guide with 1070c, for 66028.....
21651	1461	Stop Cam Interlocking Rod Spring for 66028.....
21652	1466	Stop Cam Pin for 21647.....
21653	1461	" " Spring Cover for 43651.....
21654	1452	Wrench for 1508 and 1638 (Accessories)..
22003	1467	" " 1550 and 1682 (Accessories)..
23373	1453	Belt Cover.....
23668	1466	Needle Bar Frame Cam Pin.....
23668	1466	Pulley (tight) Pin.....
23668	1466	Starting Lever Bell Crank Cam Pin.....
26026	1417	Screw Driver, medium (Accessories).....
26485	1417	" " small (Accessories).....
2707Q	1418	Shaft Driving Pulley (sectional, grooved) 10 in. diam., 1 3/8 in. bore, with two 597c (Accessories).....
27302	1417	Bobbin Winder Frame for 27647.....
27303	1466	" " " Spring for 27647..
27306	1417	" " Spool Pin for 27308.....
27307	1417	" " " Stand for 27308....
27308	1417	Bobbin Winder Spool Stand complete for 27544, Nos. 418E, 1562J, 2106, 10141, 11241, 27306, 27307 and two each 2455 and wood screws 1 in. No. 10.....
27312	1417	Bobbin Winder Stop Latch for 27647....
27538	1417	" " Spindle with 15072, for 27647.....
27540	1417	Bobbin Winder Base for 27647.....
27541	1417	" " Pulley for 27647.....

NO.	PLATE	NAME
27544	—	Bobbin Winder (swinging automatic, right hand) complete, Nos. 27308 and 27647.....
27623	2837	Thread Unwinder Spool Pin for 41531....
27647	1417	Bobbin Winder for 27544, Nos. 35D, 1620J, 27302, 27303, 27312, 27538, 27540, 27541, 50356D and two wood screws 1 in. No. 7.....
27739	2837	Thread Unwinder Thread Cone (wood) for 41533.....
27940	2837	Thread Unwinder Spool Stand with 453c, for 41533.....
32572	1448	Tension Releasing Disc.....
36565	1452	Oiler (copper plated) with 36566 (Accessories).....
36566	1452	Oiler Spout, 9 in. long, with 120117, for 36565.....
40282	1459	Needle Bar Frame Pitman Ball Screw Stud (frame end) Nut Washer.....
41514	2837	Thread Unwinder Spool Weight, 4 in. diam., with 41515, for 41533.....
41515	1466	Thread Unwinder Spool Weight Centre Pin for 41514.....
41530	2837	Thread Unwinder Spool Rest for 41531....
41531	—	“ “ “ “ 41530 with 1149c and two each 155c and 27623, for 41533.....
41533	2837	Thread Unwinder complete, for two large spools or two large cones of thread, Nos. 27940, 41531, 41631, 41640, two each 27739, 41514 and three wood screws 1 in. No. 12.....
41569	1466	Thread Unwinder Thread Guard Eyelet for 41631.....
41631	2837	Thread Unwinder Thread Guard with 208E and two 41569, for 41533.....
		Nos. 41637 to 41639 FOR 41640
41637	2837	Thread Unwinder Thread Guard Rod (lower).....
41638	2837	Thread Unwinder Thread Guard Rod (upper).....
41639	2837	Thread Unwinder Thread Guard Rod Coupling with two 456c.....
41640	—	Thread Unwinder Thread Guard Rod complete, 30 in. long, for 41533, Nos. 41637 to 41639.....

NO.	PLATE	NAME
*42525	—	Needle Bar Frame Pitman Cap (back) for 66042.....
*42525	—	Needle Bar Frame Pitman Cap (front) for 66043.....
*42527	—	Needle Bar Frame Pitman End Bearing (front) for 66043.....
42528	1459	Needle Bar Frame Pitman Rod for 66044.....
43543	1462	Shuttle Race Cap for 43785.....
43583	1461	Stop Cam Interlocking Rod for 66028....
43584	1453	Belt Cover Bracket with 871E and 43585.....
43585	1466	“ “ “ Stud for 43584.....
43644	1457	Needle Bar Connecting Stud with 187D... ..
43645	1458	“ “ Frame, obsolete.....
43650	1461	Pulley (tight) for 43651.....
43651	—	Pulley (tight) complete for 43652, Nos. 871E, 21615 to 21617, 21647, 21653, 43650 and two 997E.....
43652	—	Pulleys complete, Nos. 21638 and 43651..
43654	1446	Shuttle, 1 $\frac{1}{4}$ in. diam., Nos. 2996, 21562 and 43725.....
43677	1453	Arm Shaft.....
43691	1458	Needle Bar Frame Cam Cover.....
43692	1454	“ “ “ “ Shaft.....
43695	1457	“ “ “ Driving Arm with 200c and 51803.....
43696	1454	Needle Bar Frame Driving Arm Shaft....
43697	1459	“ “ “ Pitman with two 44361 and four 175E, obsolete.....
43698	1457	Needle Bar Frame Pitman Arm.....
43700	1457	Presser Bar Lifting Bracket with 448c....
43706	1461	Starting Lever Bell Crank with 1921....
43709	1448	Tension Releasing Pin.....
43719	1457	Thread Eyelet (side of arm).....
43725	1446	Shuttle Bobbin Case complete for 43654, Nos. 591F, 592E, 2523, 2975, 4820, 15141 and 224842.....
43745	1448	Shuttle Driver.....
*43764	—	Thread Take-up Cam for 21578.....
*43766	—	Arm and Cylinder with 21503.....
		Nos. 43767 to 43771 FOR 43773
43767	1455	Button Clamp (back).....
43768	1455	“ “ (front).....
43769	1455	“ “ Plate.....
43770	1455	“ “ Shank.....
43771	1455	“ “ Spreader.....

NUMERICAL LIST OF PARTS

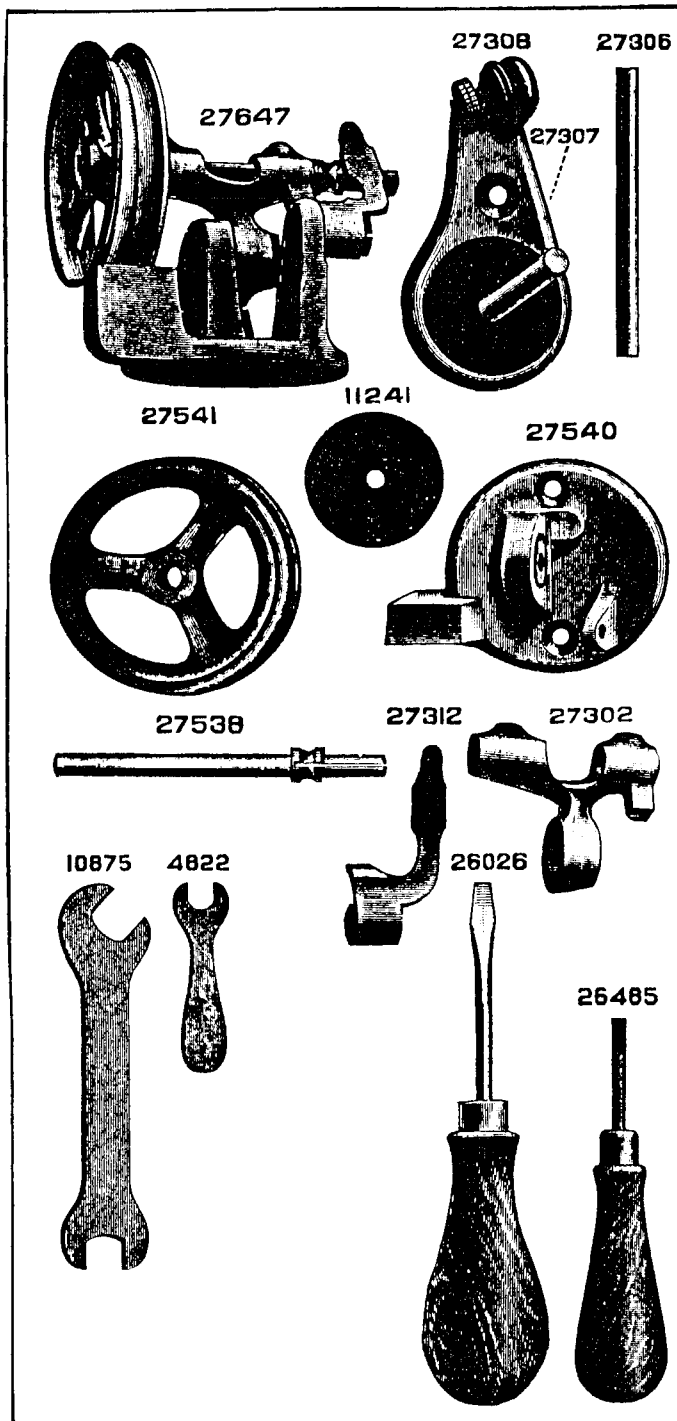
NO.	PLATE	NAME
43772	1455	Button Clamp Spreader Stop for 43773, obsolete.....
43773	—	Button Clamp complete, Nos. 190D, 793D, 7071, 19116, 43767 to 43771, 66045 and two each 111D and 50130c.....
43774	1456	Needle Bar with 857H.....
43775	1458	" " Frame Cam with 448c.....
43776	1458	" " " " Worm with 448c and 50243c.....
43777	1458	Needle Bar Frame Cam Worm Wheel with 448c and 50243c.....
43778	1460	Needle Plate.....
43779	1460	" " Thread Guard.....
43780	1456	Presser Bar.....
43781	1456	" " Lifting Bracket Guide Bar.....
43782	1456	" " " " Lever with 141c and 1528E.....
43783	—	Shuttle Race Body for 43785.....
43784	1462	" " Ring for 43785.....
43785	1462	Shuttle Race (flexible) complete, Nos. 662D, 2523, 43543, 43783, 43784 and two each 1289D and 18413.....
43791	1459	Tension Releasing Arm with 1097E.....
43792	1463	Thread (lower) Cutting Blade.....
43793	1456	" " " " Holder.....
43794	1463	" " " " " Extension.....
43795	1463	Thread (lower) Cutting Blade Holder Guide.....
43796	1463	Thread (lower) Cutting Blade Holder Sleeve.....
43797	1456	Thread (lower) Cutting Blade Connection (bell crank end) for 43799.....
43798	1456	Thread (lower) Cutting Blade Connection (holder end) for 43799.....
43799	1456	Thread (lower) Cutting Blade Connection complete, Nos. 43797, 43798 and two 193D.....
43800	1463	Thread (lower) Cutting Blade Connection Bell Crank.....
*44361	—	Needle Bar Frame Pitman Cap (back) for 43697, obsolete.....
*44361	—	Needle Bar Frame Pitman Cap (front) for 43697, obsolete.....
50128D	1463	Thread (upper) Cutting Blade Holder Slide Bracket Screw (right).....
50130c	1455	Button Clamp Hinge Screw for 43773.....

NUMERICAL LIST OF PARTS

NO.	PLATE	NAME
50130c	1455	Thread (lower) Cutting Blade Connection Bell Crank Connection Hinge Screw...
50130c	1455	Thread (lower) Cutting Blade Connection Hinge Screw.....
50130c	1455	Thread (upper) Cutting Blade Lever Hinge Screw.....
50243c	1464	Needle Bar Frame Cam Worm Position Screw for 43776.....
50243c	1464	Needle Bar Frame Cam Worm Wheel Position Screw for 43777.....
50302D	1464	Tripping Lever Pin Set Screw for 66032..
50356D	1465	Bobbin Winder Frame Hinge Screw for 27647.....
50434c	1465	Thread (lower) Cutting Blade Connection Bell Crank Hinge Screw.....
50435D	1463	Thread (upper) Cutting Blade Holder Slide Screw.....
50454c	1464	Starting Lever Stop Screw for 66028.....
51803	1457	Needle Bar Frame Driving Arm Roller and Stud for 43695.....
51804	1466	Starting Lever Roller and Stud for 66027.
51820	1463	Thread (upper) Cutting Blade Lever Roller and Stud for 66024.....
66001	1456	Thread (lower) Cutting Blade Connection Bell Crank Connection.....
66004	1463	Thread (upper) Cutting Blade with 66014
66005	1463	" " " " Cap.....
66006	1463	" " " " Holder...
66007	1463	" " " " " Slide with 66011.....
66009	1463	Thread (upper) Cutting Blade Holder Slide Connection with 66018.....
66010	1455	Thread (upper) Cutting Blade Holder Slide Spring.....
66011	1463	Thread (upper) Cutting Blade Holder Slide Spring Stud for 66007.....
66014	1463	Thread (upper) Cutting Blade Stud for 66004.....
66015	1456	Thread Guard.....
66016	1455	" Wiper.....
66017	1455	" " Body.....
66018	1463	" " " Pin for 66009.....
66019	1455	" " Bracket.....
66023	1459	" (upper) Cutting Blade Holder Slide Bracket, obsolete.....
66024	1463	Thread (upper) Cutting Blade Lever with 51820.....

NO.	PLATE	NAME
66027	1453	Starting Lever with 641c and 51804, for 66028.
66028	—	Starting Lever complete, Nos. 159F, 913c, 1520E, 1638E, 21643, 21649, 21651, 43583, 50454c, 66027, 66031, two each 190d, 640F and three 21645.
66029	1461	Starting Lever Bell Crank Cam with 448c.
66030	1459	" " " " " Tripping Point.
66031	1455	Starting Lever Tripping Plate for 66028.
66032	1456	Tripping Lever with 50302D.
66033	1455	" " Bracket.
66034	1466	" " Pin.
66035	1456	" " Spring.
66038	1454	Needle Bar Frame for 66039.
66039	—	" " 66038 with 391D and 66040.
66040	1459	Needle Bar Frame Extension for 66039.
*66041	—	" " " Pitman End Bearing (back) for 66042.
66042	1459	Needle Bar Frame Pitman Head (back) for 66044, Nos. 679c, 42525, 66041 and two 196E.
66043	1459	Needle Bar Frame Pitman Head (front) for 66044, Nos. 849c, 42525, 42527 and two 196E.
66044	1459	Needle Bar Frame Pitman complete, Nos. 1550c, 1682c, 42528, 66042 and 66043.
66045	1455	Button Clamp Spreader Stop for 43773.
66046	1463	Thread (lower) Cutting Blade Connection Bell Crank Retaining Spring.
66047	1463	Thread (upper) Cutting Blade Holder Slide Bracket.
120117	1467	Oiler Spout Washer (leather) for 36566.
224842	1446	Shuttle Tension Spring for 43725.

PLATE 1417—ONE-HALF SIZE



From the library of: Diamond Needle Corp.

PLATE 1418—ONE-FOURTH SIZE

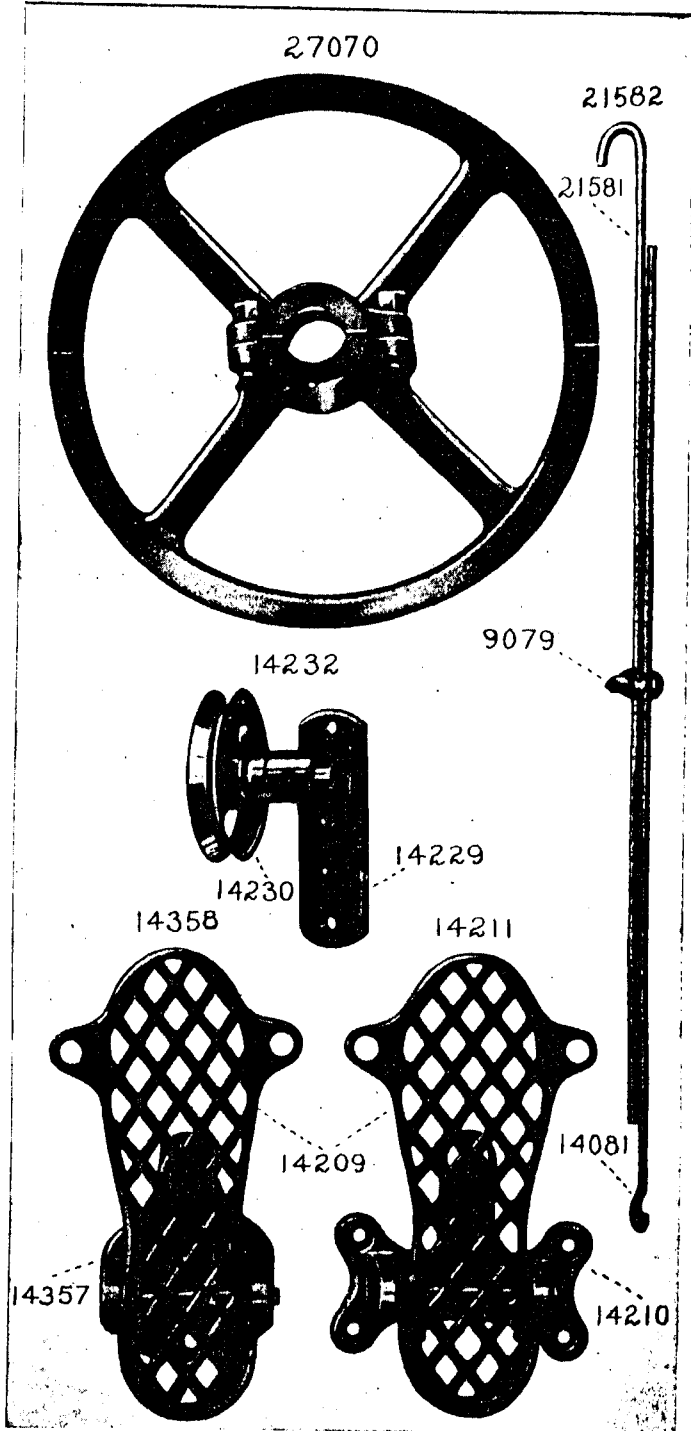
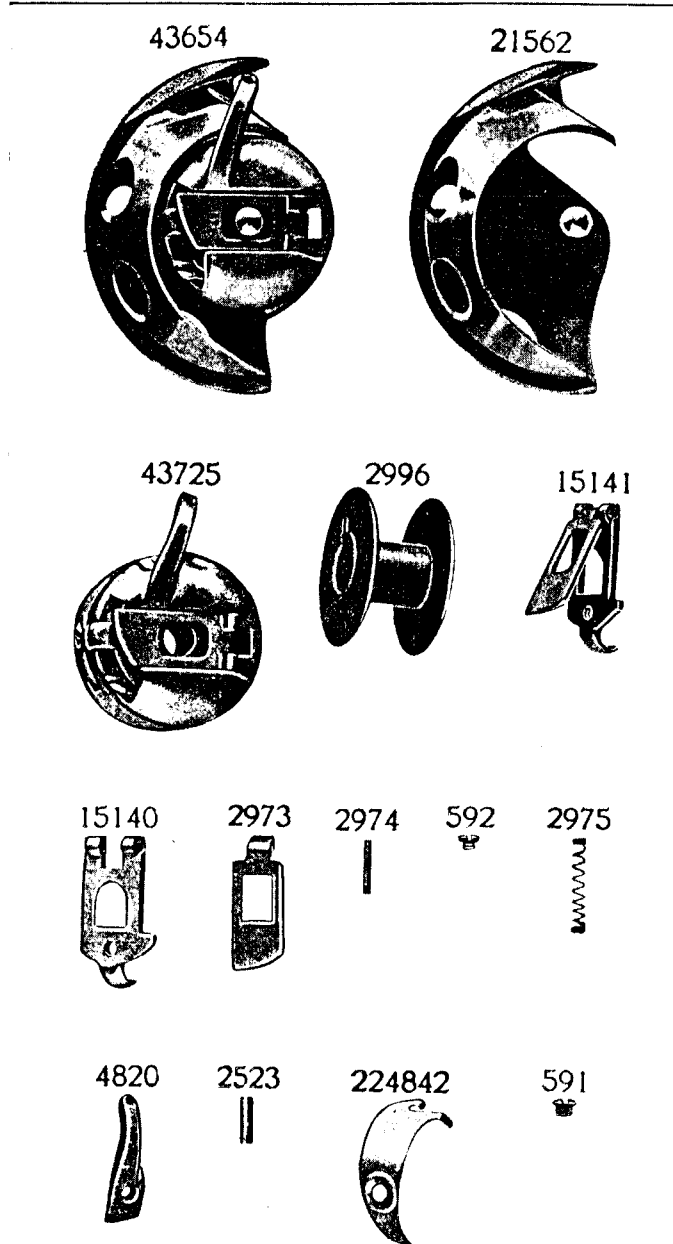


PLATE 1446—FULL SIZE



Copyright © 1953 by Diamond Messing Co.

PLATE 1448—FULL SIZE

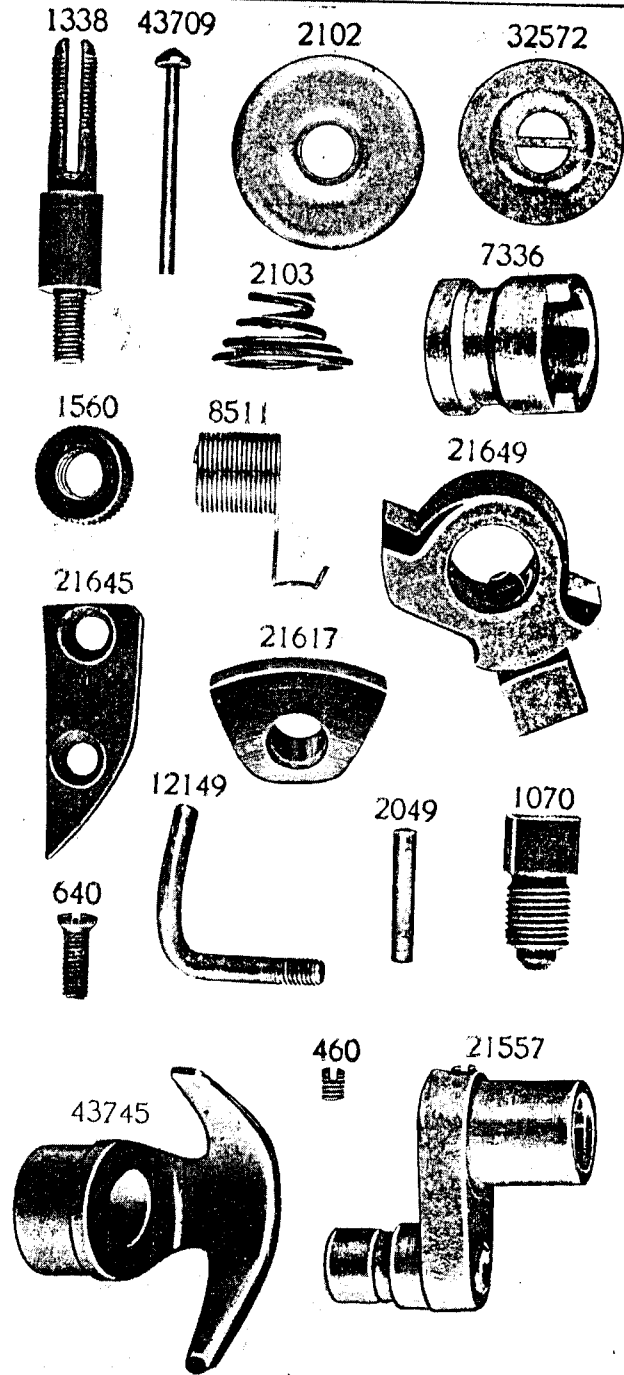


PLATE 1452—ONE-HALF SIZE

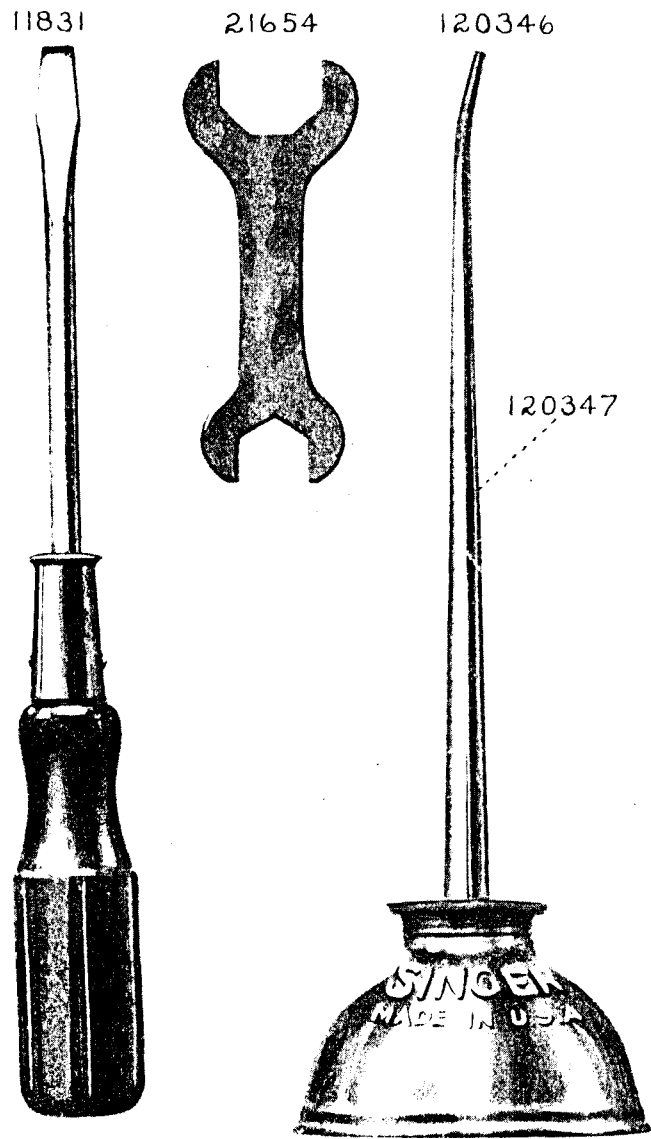
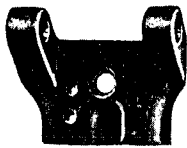


PLATE 1453—ONE-FOURTH SIZE

43677



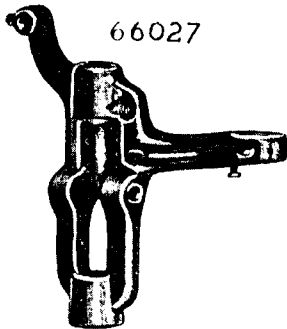
21644



43584



66027



23373

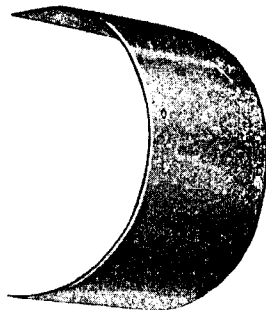


PLATE 1454—ONE-HALF SIZE

21556



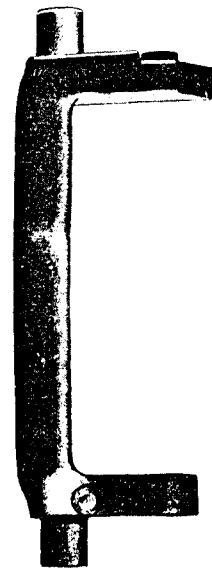
12108



43692



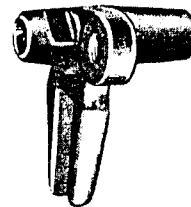
66038



7585



21555



21634



12388



21578



PLATE 1455—FULL SIZE

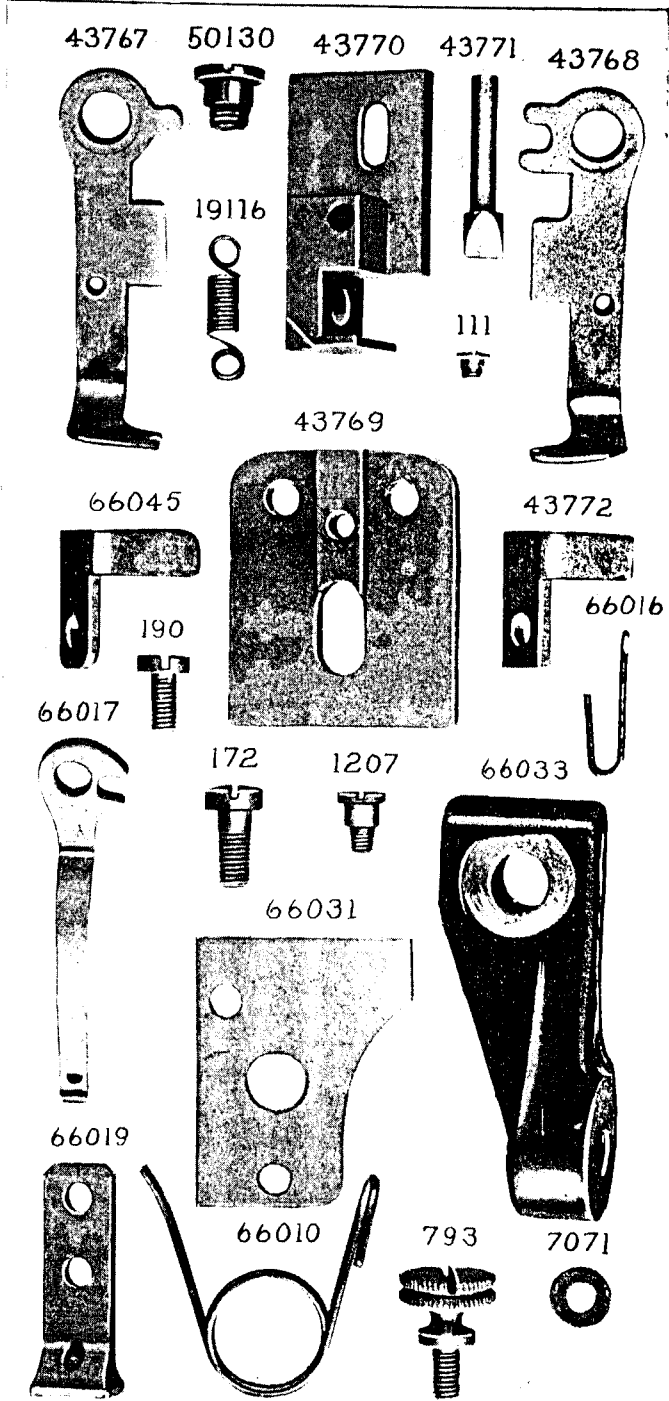


PLATE 1456—ONE-HALF SIZE

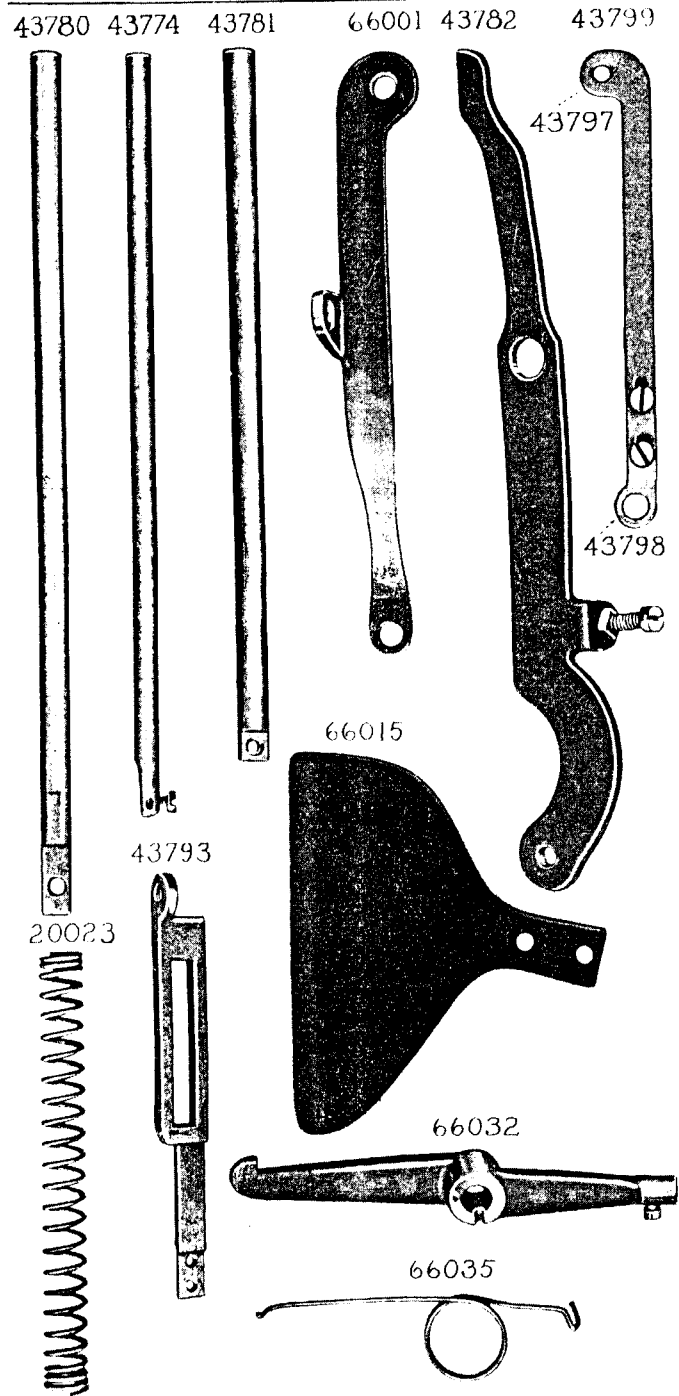


PLATE 1457—FULL SIZE

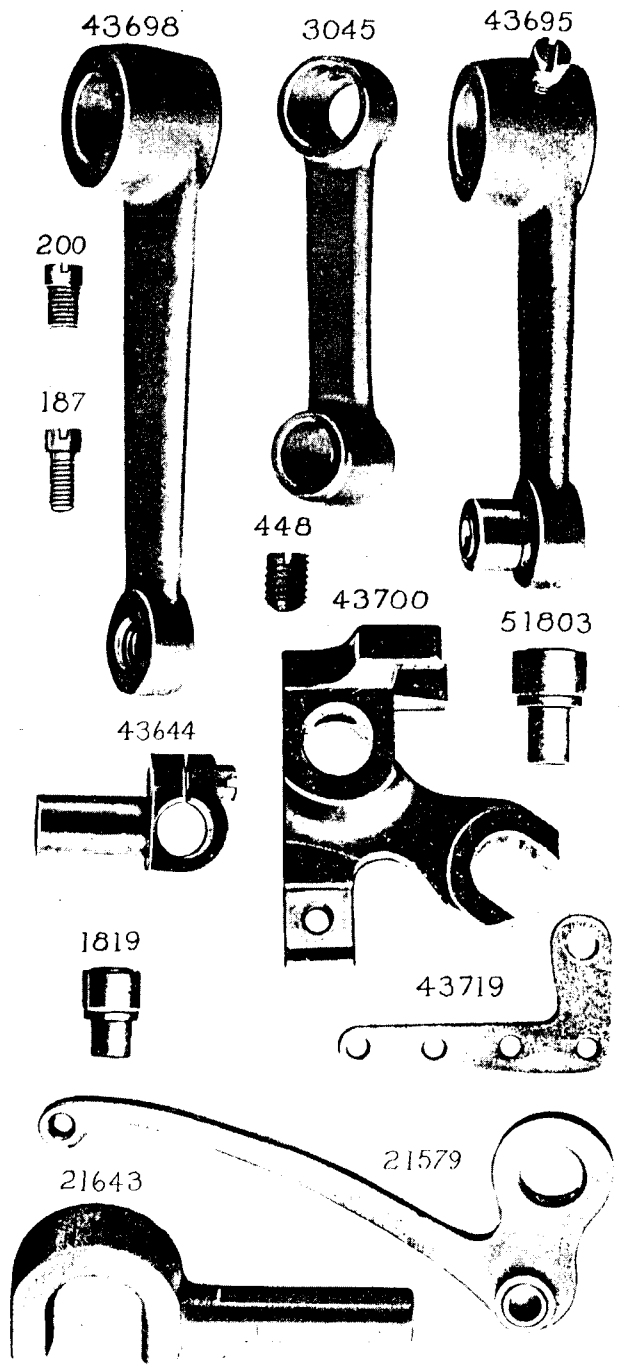


PLATE 1458—ONE-HALF SIZE

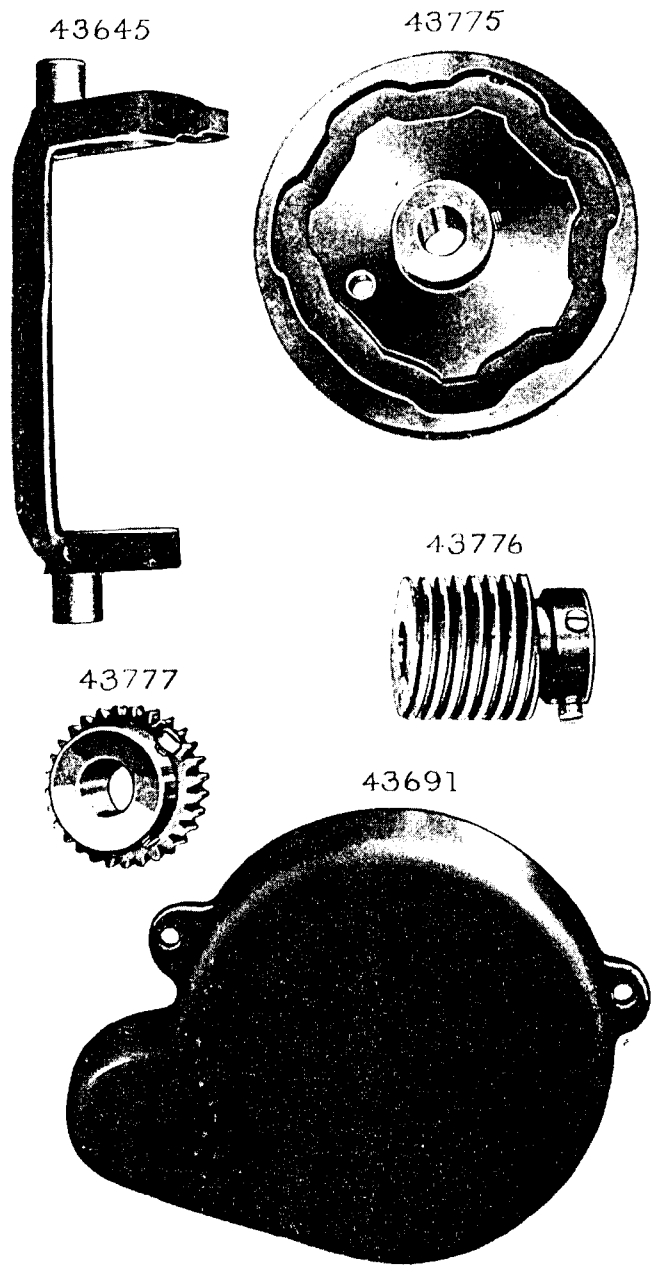


PLATE 1459—FULL SIZE

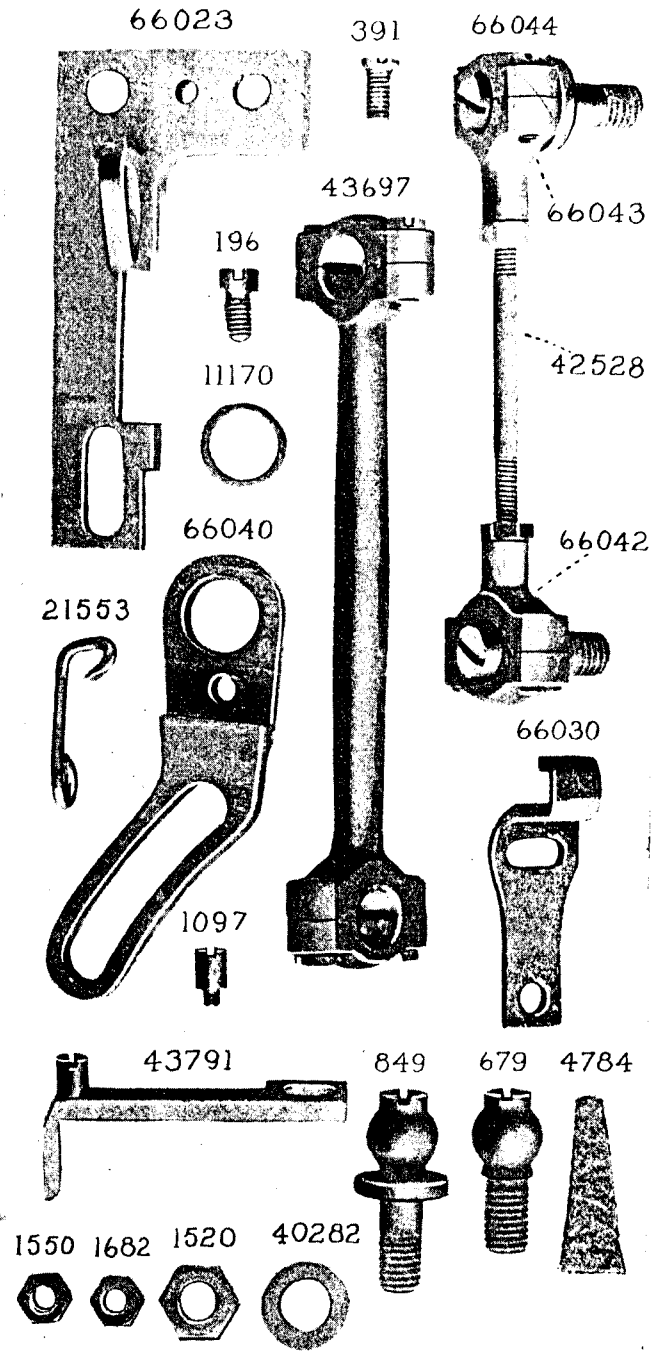


PLATE 1460—FULL SIZE

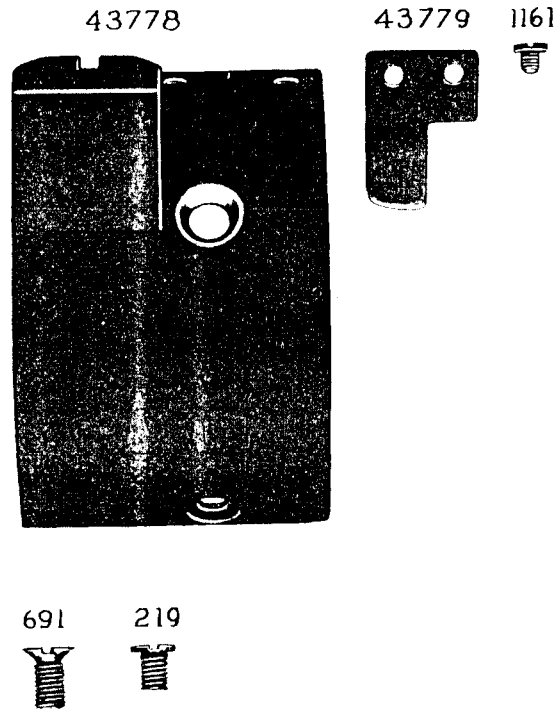
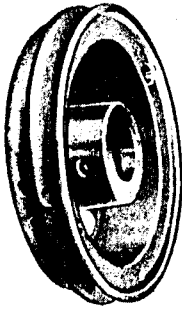
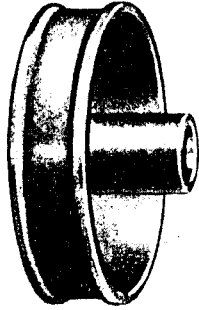


PLATE 1461—ONE-HALF SIZE

43650



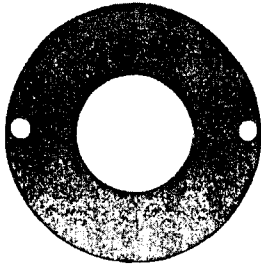
21638



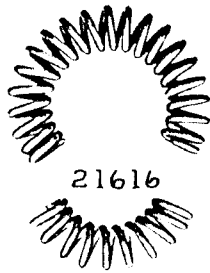
43583



21653



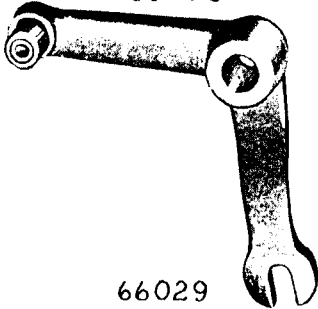
21615



21616



43706



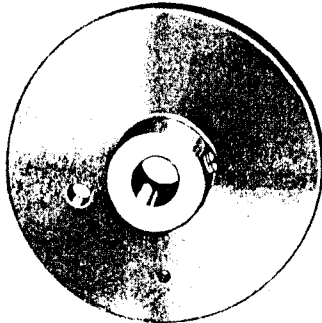
21651



14174



66029



21647

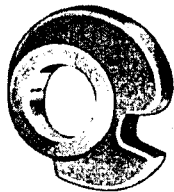
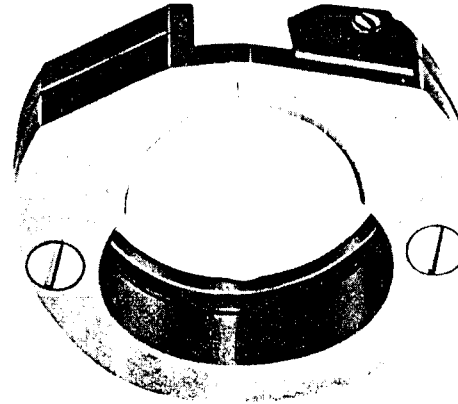
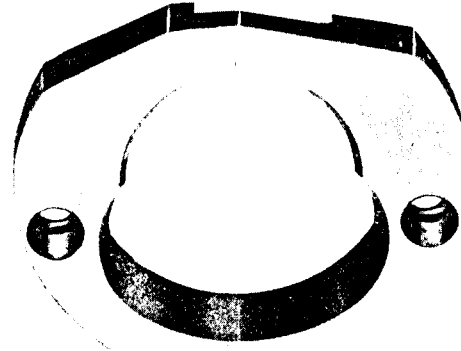


PLATE 1462—FULL SIZE

43785



43784



1289



18413



43543



From the library of Diamond Needle Corp.

PLATE 1463—FULL SIZE

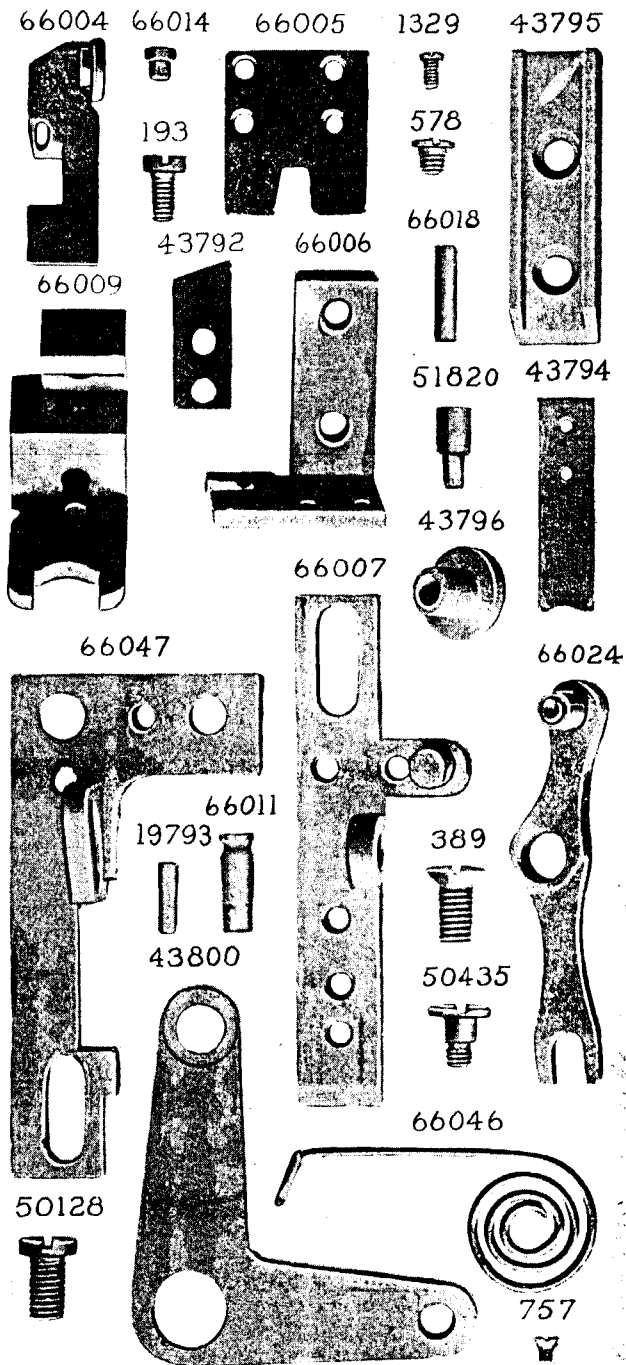


PLATE 1464—FULL SIZE

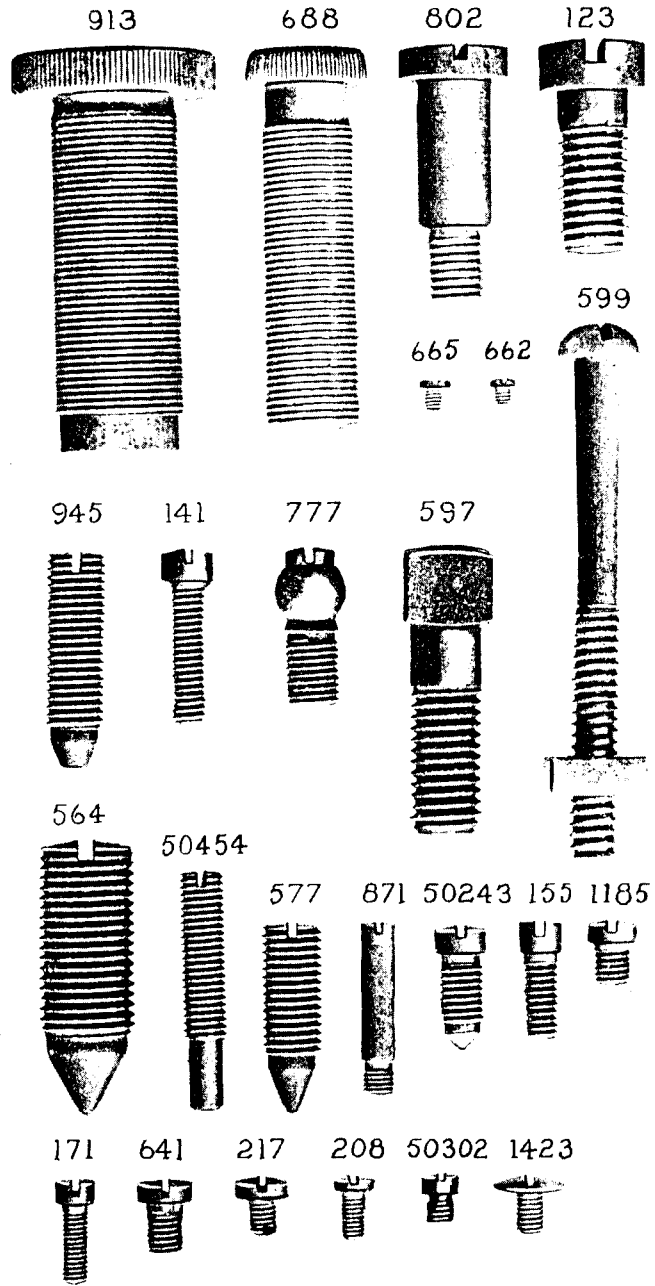


PLATE 1465—FULL SIZE

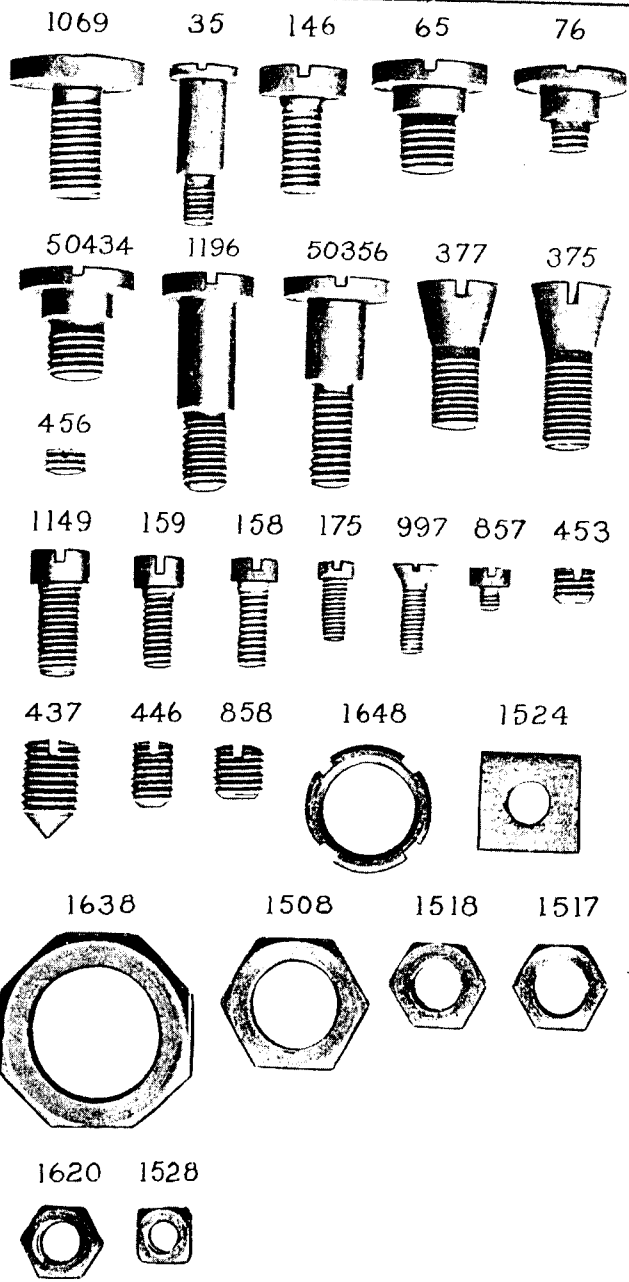


PLATE 1466—FULL SIZE

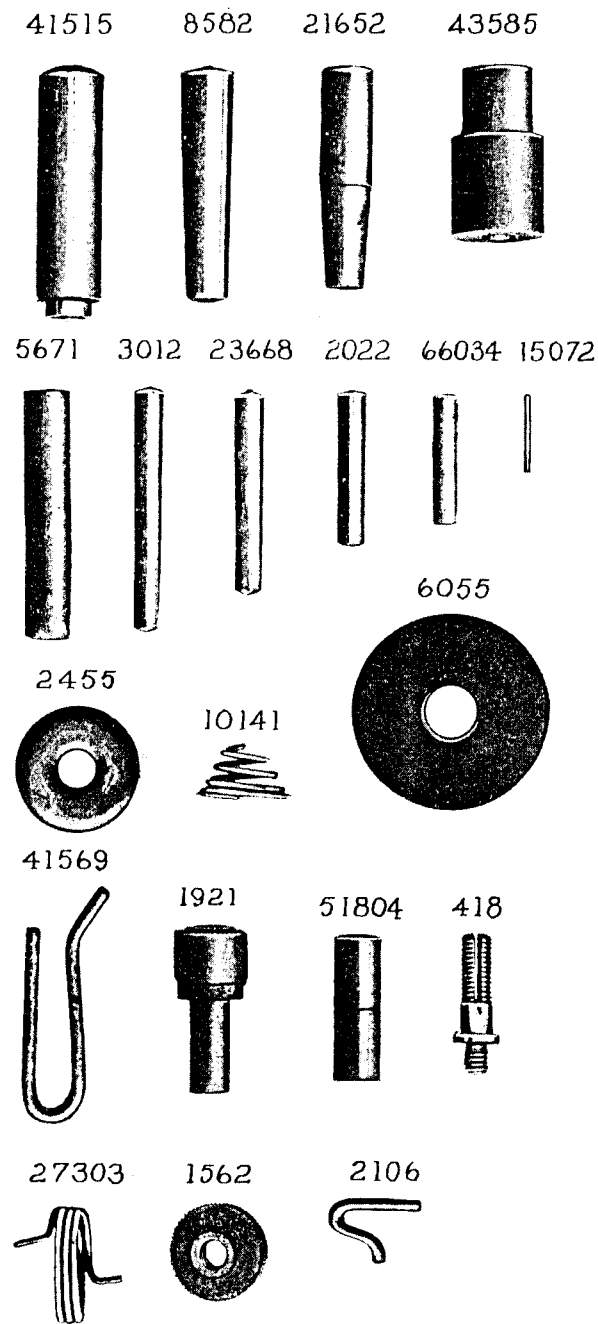


PLATE 1467—ONE-HALF SIZE

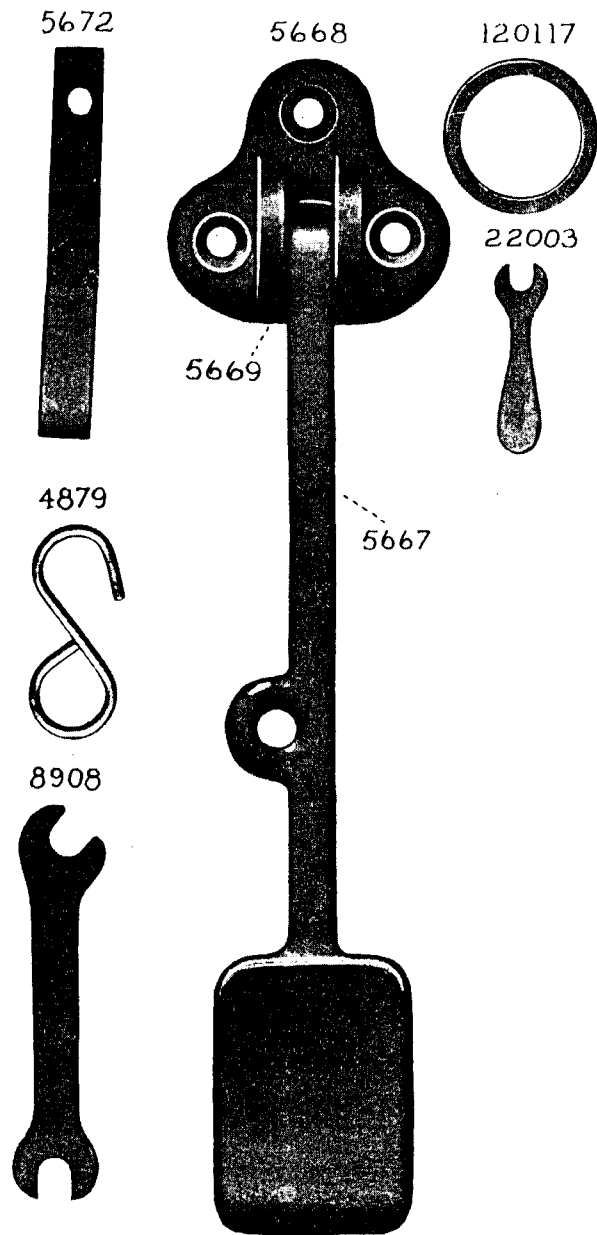
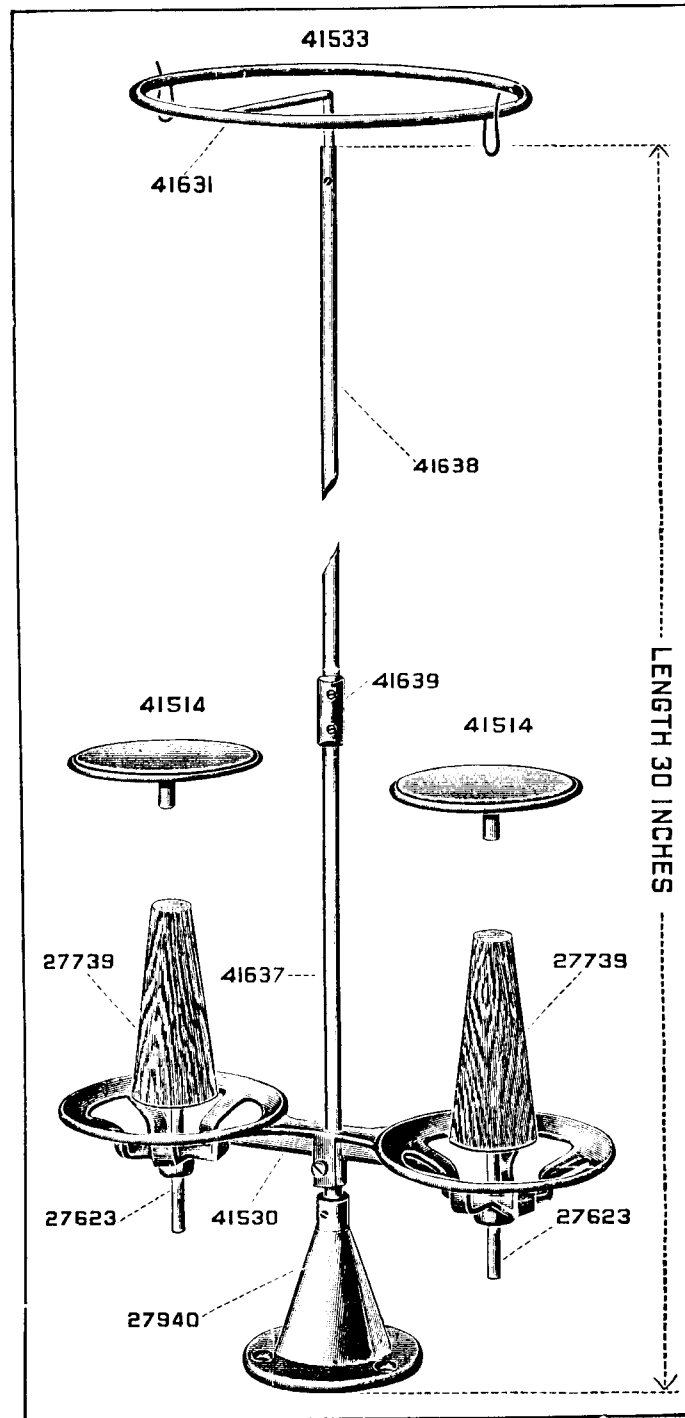


PLATE 2837—ONE-FOURTH SIZE



From the library of: Diamond Needle Corp